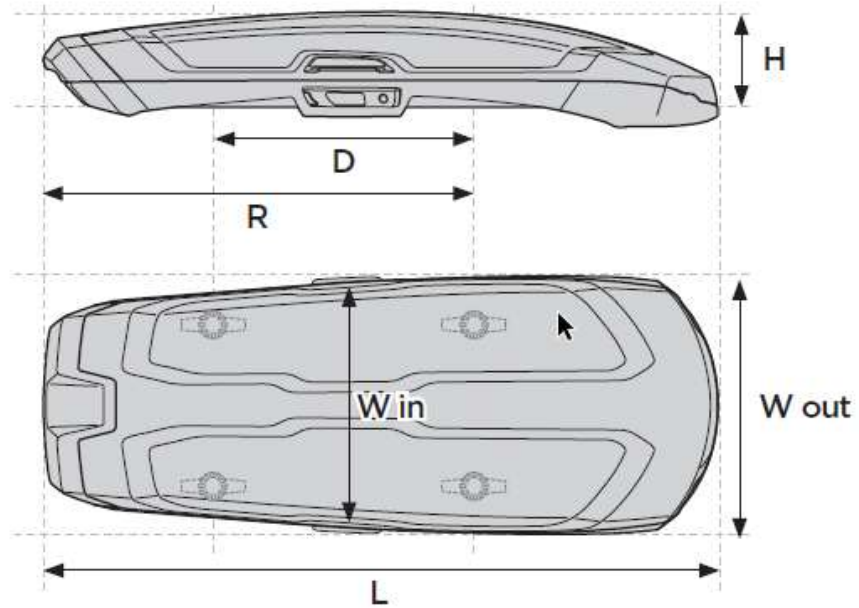
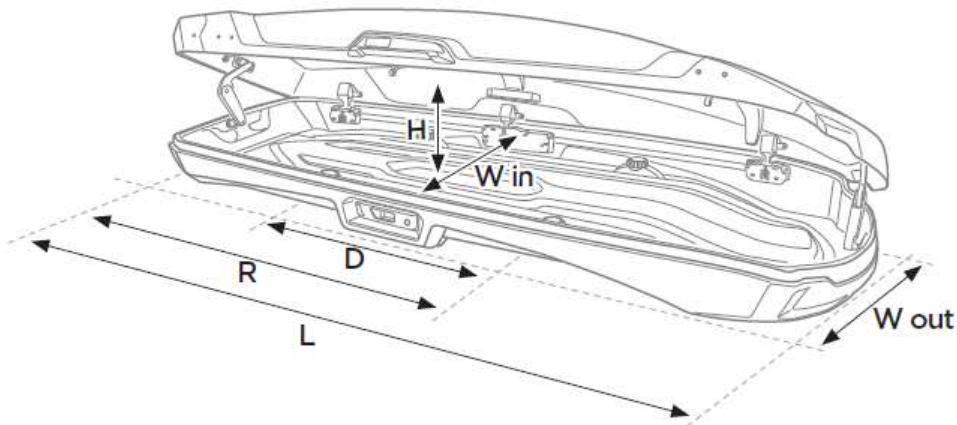


THULE Vector



		D Min	D Max	W in	W out	H	L	R Min
Medium	mm	557	932	780	880	297	2120	1310
	in	21 7/8	36 3/4	30 3/4	34 5/8	11 3/4	83 1/2	51 1/2
Alpine	mm	557	932	780	884	284	2280	1370
	in	21 7/8	36 3/4	30 3/4	34 3/4	11 1/8	89 3/4	53 7/8
Large	mm	557	932	780	884	329	2315	1410
	in	21 7/8	36 3/4	30 3/4	34 3/4	13	91 1/8	55 3/8

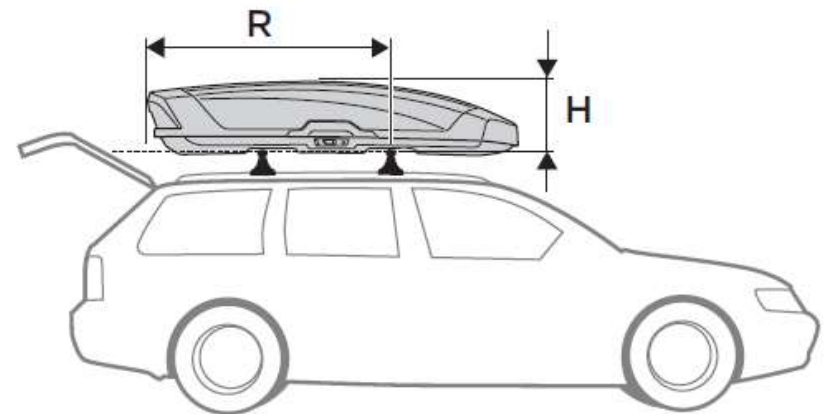
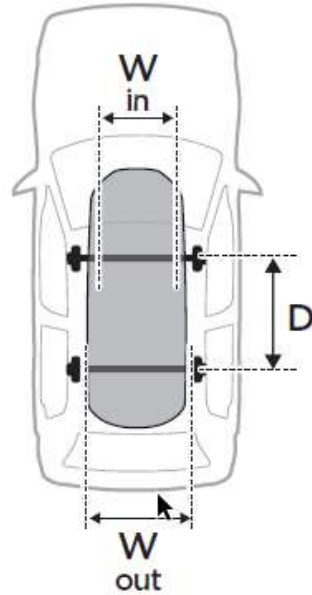


THULE Motion XT



	D Min*	D Max*	W in*	W out*	H*	R Min*
M	560	930	755	865	460	1198
Sport	560	930	565	675	430	1250
L	560	930	785	895	440	1290
XL	560	930	805	915	440	1347
XXL	560	930	840	950	470	1440
Alpine	560	930	840	950	350	1417

*mm

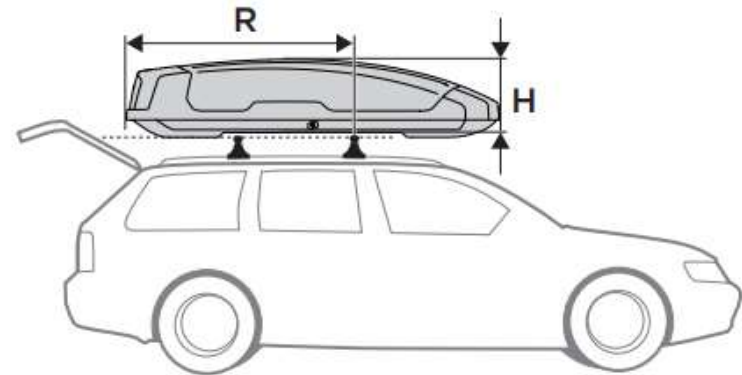
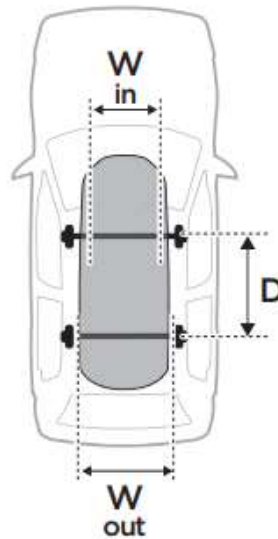


THULE Force XT



	D Min*	D Max*	W in*	W out*	H*	R Min*
S	557	845	786	896	388	971
M	557	932	710	820	424	1153
Alpine	557	909	590	700	394	1399
Sport	557	932	520	630	395	1227
L	557	918	730	840	428	1207
XL	557	911	750	860	410	1299

*mm



THULE Touring



	D Min*	D Max*	Wf*	Wr*	H*	R Min*
Touring 100/S	515	925	763	740	406	937
Touring 200/M	545	955	702	697	413	1149
Touring 600/Sport	545	955	525	528	359	1184
Touring 700/Alpine	545	955	587	583	382	1431
Touring 780/L	545	955	673	673	400	1250

*mm

